
YOUR
SMART
LIFT
SOLUTION

Add value to your property,
lift your lifestyle with

VILLALIFT

DIRA

DIRA GENERAL

TRADING



Safety

8 LAYERS OF SAFETY

Why you should fully trust **dirageneral's technology ?**



SAFETY

Photosell Sensors 1

This high quality light sensor will force the lift to stop immediately when passengers or objects approach the exit of the lift while in use.

2 Mechanical Guide Rails Brakes

Even if all the cables snapped, the elevator still would not fall to the bottom floor. Thanks to the passive, automatic, built-in braking system these brakes will lock in place whenever the elevator starts to fall faster than an allowed amount.

3 Overload Sensor

When the car is overloaded, the elevator won't move and will give a sign on the COP.

4 Limit & Emergency Stop Switches

These switches will assure stopping the car when the lift reaches or passes its final destination or in case of emergency.

5 Machine Brake Hand

In case of emergency this system allows the technician to free the car and make it descent to the closest down floor.

6 Magnetic Lock Switch

To ensure that landing door of the elevator could be opened only when the car is available and while the elevator is not being used.

7 Overspeed Governor

This device is specifically designed to stop the lift if it runs beyond the prescribed speed.

8 Rescuing System UPS with Support

This is a battery backup system that provides backup power when the regular power source fails or voltage drops to an unacceptable level. In that case, the battery mode is automatically turned on.

What Makes us Unique?

Smart Civil Work

This lift is an ideal solution to be installed on the exterior face of the building, in the lobby, or at a place where it can enhance the elevation and the 'look&feel' of the building. We introduce you to an electrical home elevator that requires no supporting wall, pit, or hydraulics vacuum systems. Just plug it into your domestic electrical socket and start moving up & down!

Minimal Maintenance

This is an electrical self-supporting elevator. No use of oil, vacuum systems, or counterweights. This means less maintenance and saves a lot of additional costs and time during the installation-process.

Plug & Play

These Elevators come as a semi-assembled unit just install, plug and play. No surprises!

Self Supported Structure

Dira general **VILLALIFT** is a stand-alone elevators that does not require any supporting beam, column or walls. All you need is the space!

Panoramic View

The unique glassy sightseeing capsule enables the passengers to have eye contact with the surrounding area, even when the lift is in motion.

Green Elevator

This elevator is made of eco-friendly raw materials that are harmless when damaged. It requires the least amount of assembly and maintenance resources and consumes less energy when in use compared to the other traditional elevators.

Noise

When using dirageneral's **VILLALIFT** you can count on a smooth moving system with no commotion.

We Export to



Countries Which We Export to

- United State of America
- Algeria
- Libya
- Tunisia
- Nigeria
- South Sudan
- Kingdom of Saudi Arabia
- United Arab Emirates
- Oman
- Qatar
- Bahrain
- Kuwait
- Iraq
- Palestine
- Lebanon
- Bangladesh
- Pakistan
- Vietnam
- Iran
- Latvia
- Albania
- Moldova

TUV & CE CERTIFIED

NO MACHINE ROOM

SINGLE OR THREE PHASE POWER SUPPLY

NO PIT

SOFT START & STOP

ITALIAN MACHINE

NO OIL / LUBRICATION REQUIRED

COMPLIES TO EUROPEAN STANDARDS OF SAFETY

Our Products







MEET THE SEMI CIRCULAR

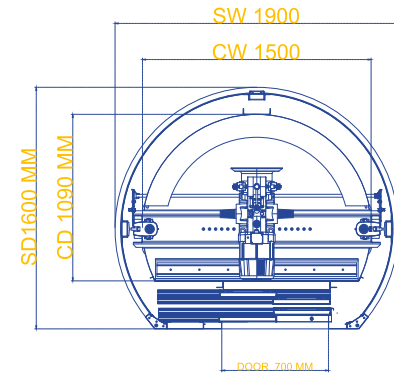


TECHNICAL DIMENSIONS



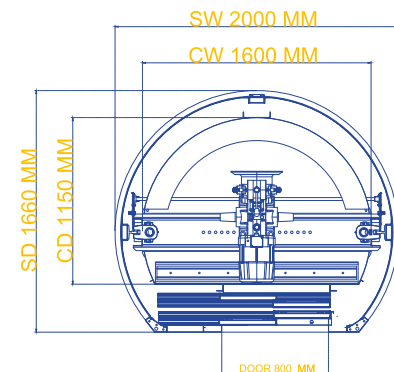
CVLA - 1900

STRUCTURE DIMENTION	: 1900 X 1600 MM
CABIN DIMENTION	: 1500 X 1090 MM
CABIN HIGH	: 2200 MM
DOOR DIMENTION LOAD	: 700 x 2.000 MM SLIDE OPPENING
CAPACITY DRIVER	: 400 KG
POWER SUPPLY	: 6,8 KW
DOOR COVERING	: 3 Phase 380 Vac / 50HZ-60HZ : Framed Glass 4 X 4 MM Laminated



CVLA - 2000

STRUCTURE DIMENTION	: 2000 X 1660 MM
CABIN DIMENTION	: 1600 X 1150 MM
CABIN HIGH	: 2200 MM
DOOR DIMENTION LOAD	: 800 x 2.000 MM SLIDE OPPENING
CAPACITY DRIVER	: 450 KG
POWER SUPPLY	: 6,8 KW
DOOR COVERING	: 3 Phase 380 Vac / 50HZ : Framed Glass 4 X 4 MM Laminated



CABIN AND STRUCTURE CLADDING :
SOLID 4 MM
Polycarbonate



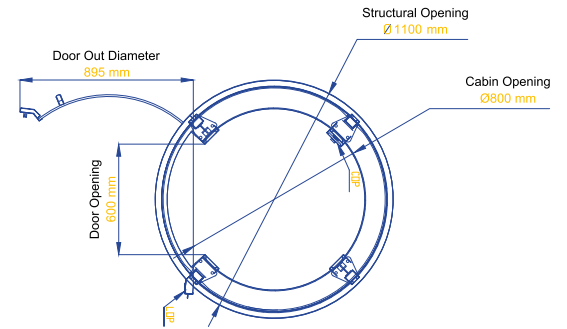


MEET THE CIRCULAR



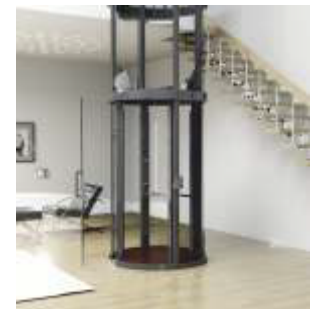
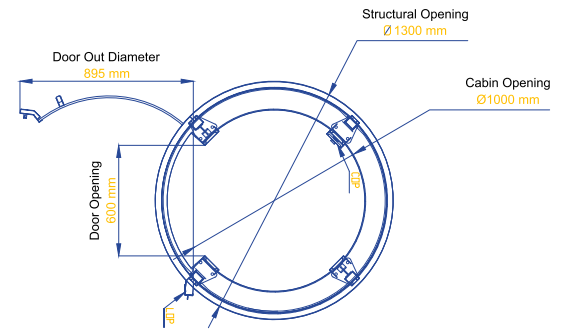
CVL - 1100

- OUTER DIMENTION** : Ø 1100 MM
- CABIN DIMENTION** : Ø 800 MM
- CABIN HIGH** : 2000 MM
- DOOR DIMENTION** : 600X2000 MM
- LOAD CAPACITY** : 200 KG
- DRIVER** : 3,7 KW
- POWER SUPPLY** : 1 Phase 220 Vac / 50HZ-60HZ
: 3 Phase 380 Vac / 50HZ-60HZ



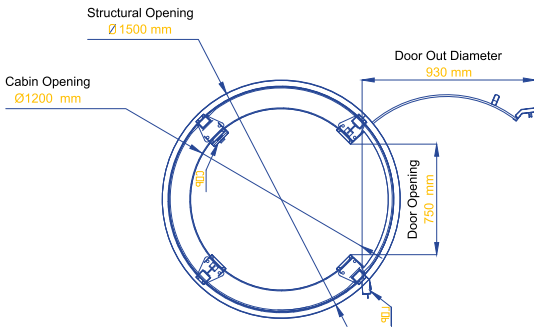
CVL - 1300

- OUTER DIMENTION** : Ø 1300 MM
- CABIN DIMENTION** : Ø 1000 MM
- CABIN HIGH** : 2000 MM
- DOOR DIMENTION** : 600X2000 MM
- LOAD CAPACITY** : 300 KG
- DRIVER** : 3,7 KW
- POWER SUPPLY** : 3 Phase 380 Vac / 50HZ-60HZ



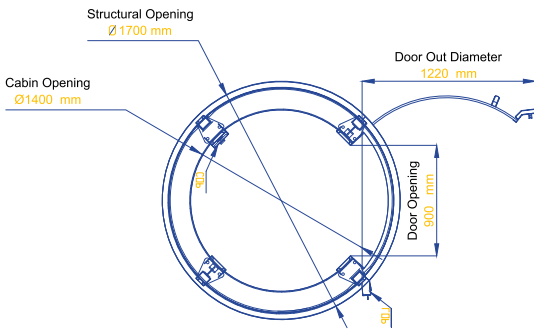


TECHNICAL DIMENSIONS



CVL - 1500

- OUTER DIMENTION** : Ø 1500 MM
- CABIN DIMENTION** : Ø 1200 MM
- CABIN HIGH** : 2000 MM
- DOOR DIMENTION** : 750x 2.000 MM
- LOAD CAPACITY** : 400KG
- DRIVER** : 5,5KW
- POWER SUPPLY** : 3 Phase 380 Vac / 50HZ-60HZ

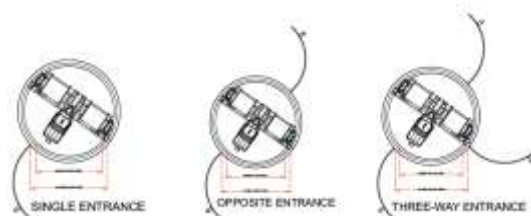


CVL - 1700

- OUTER DIMENTION** : Ø 1700 MM
- CABIN DIMENTION** : Ø 1400 MM
- CABIN HIGH** : 2000 MM
- DOOR DIMENTION** : 900 x 2.000 MM
- LOAD CAPACITY** : 500KG
- DRIVER** : 6,8KW
- POWER SUPPLY** : 3 Phase 380 Vac / 50HZ-60HZ

Multiple Door Access

The flexible design of this elevator allows us to install the entrance or the exits from different sides on each floor.



CABIN AND STRUCTURE CLADDING :

**4 mm
SOLID Polycarbonate**

DOOR CLADDING :
FRAMED

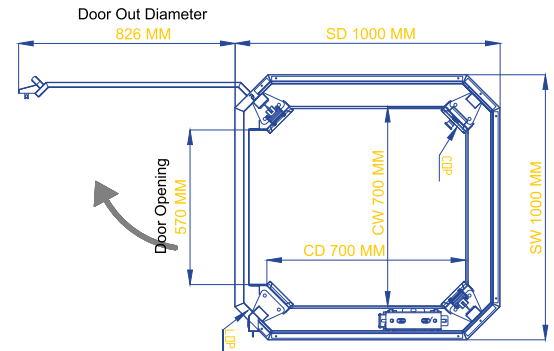
**4 mm
SOLID Polycarbonate**



MEET THE OCTAGON

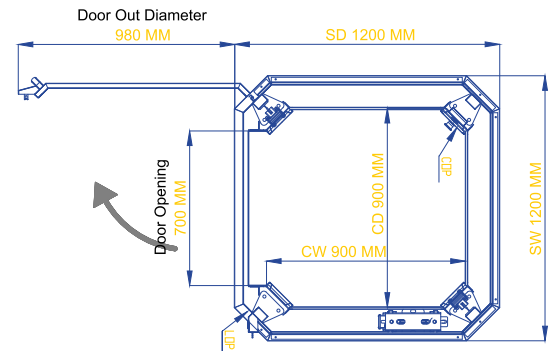
OVL - 1000

OUTER DIMENTION: 1000X1000 MM
CABIN DIMENTION: 700X700 MM
CABIN HIGH: 2000 MM
DOOR DIMENTION: 570X2000 MM
LOAD CAPACITY: 175 KG
DRIVER: 3,7 KW
POWER SUPPLY: 1 Phase 220 Vac / 50HZ-60HZ
3 Phase 380 Vac / 50HZ-60HZ

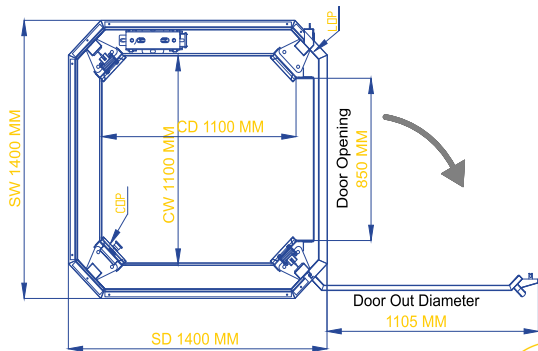


OVL - 1200

OUTER DIMENTION: 1200X1200 MM
CABIN DIMENTION: 900X900 MM
CABIN HIGH: 2000 MM
DOOR DIMENTION: 700X2000 MM
LOAD CAPACITY: 250 KG
DRIVER: 3,7 KW
POWER SUPPLY: 1 Phase 220 Vac / 50HZ-60HZ
3 Phase 380 Vac / 50HZ-60HZ

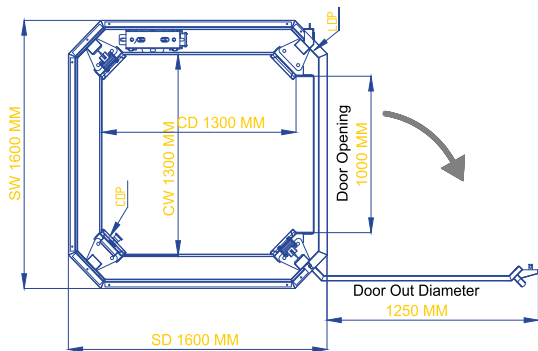


TECHNICAL DIMENSIONS



OVL - 1400

OUTER DIMENTION : 1400X1400 MM
CABIN DIMENTION : 1100X1100 MM
CABIN HIGH : 2000 MM
DOOR DIMENTION : 850x 2.000 MM
LOAD CAPACITY : 400KG
DRIVER : 5,5KW
POWER SUPPLY : 3 Phase 380 Vac/ 50HZ-60HZ

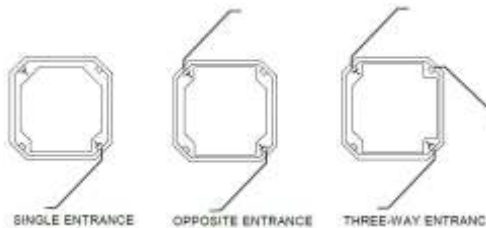


OVL - 1600

OUTER DIMENTION : 1600X1600 MM
CABIN DIMENTION : 1300 x 1300 MM
CABIN HIGH : 2000 MM
DOOR DIMENTION : 600 x 2.000 MM
LOAD CAPACITY : 500KG
DRIVER : 6,8KW
POWER SUPPLY : 3 Phase 380 Vac / 50HZ-60HZ

Multiple Door Access

The flexible design of this elevator allows us to install the entrance or the exits from different sides on each floor.



CABIN AND STRUCTURE CLADDING :

**GLASS
4X4MM
LAMINATED**

**DOOR CLADDING :
FRAMED GLASS
4X4MM
LAMINATED**

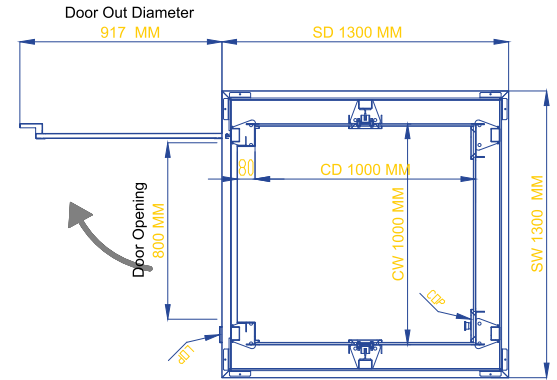


MEET THE SQUARE



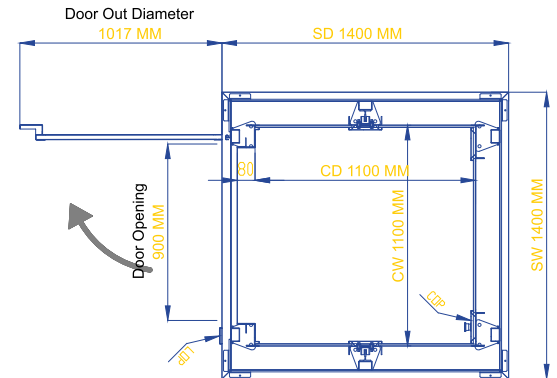
SVL - 1300

- OUTER DIMENTION** : 1300X1300 MM
- CABIN DIMENTION** : 1000X1000 MM
- CABIN HIGH** : 2000 MM
- DOOR DIMENTION** : 800X2000 MM
- LOAD CAPACITY** : 250 KG
- DRIVER** : 3,7 KW
- POWER SUPPLY** : 1 Phase 220 Vac / 50HZ-60HZ
: 3 Phase 380 Vac / 50HZ-60HZ



SVL - 1400

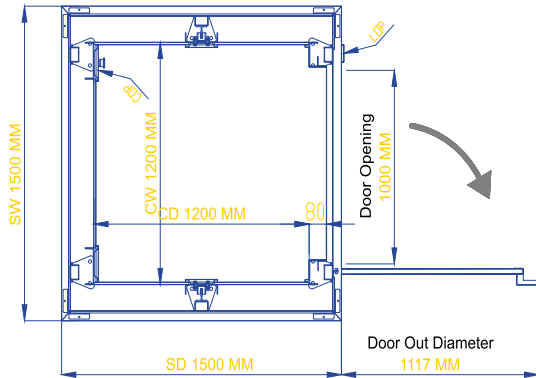
- OUTER DIMENTION** : 1400X1400 MM
- CABIN DIMENTION** : 1100X1100 MM
- CABIN HIGH** : 2000 MM
- DOOR DIMENTION** : 900X1000 MM
- LOAD CAPACITY** : 300 KG
- DRIVER** : 5,5 KW
- POWER SUPPLY** : 3 Phase 380 Vac / 50HZ-60HZ



PIT 120 MM	OVERHEAD 3000 MM	SPEED 0,15 M/S	MANUAL OR SEMI AUTOMATIC DOOR
----------------------	----------------------------	--------------------------	--------------------------------------

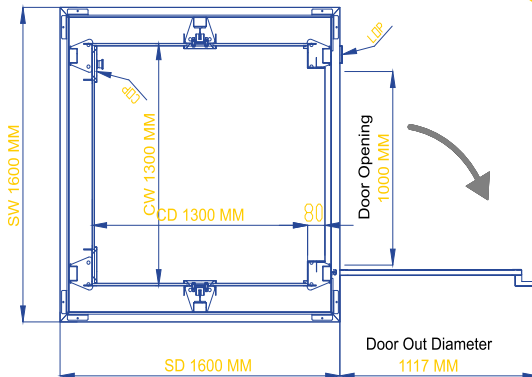


TECHNICAL DIMENSIONS



SVL - 1500

OUTER DIMENTION : 1500X1500 MM
CABIN DIMENTION : 1200X1200 MM
CABIN HIGH : 2000 MM
DOOR DIMENTION : 1000X 2.000 MM
LOAD CAPACITY : 400KG
DRIVER : 5,5KW
POWER SUPPLY : 3 Phase 380 Vac / 50HZ

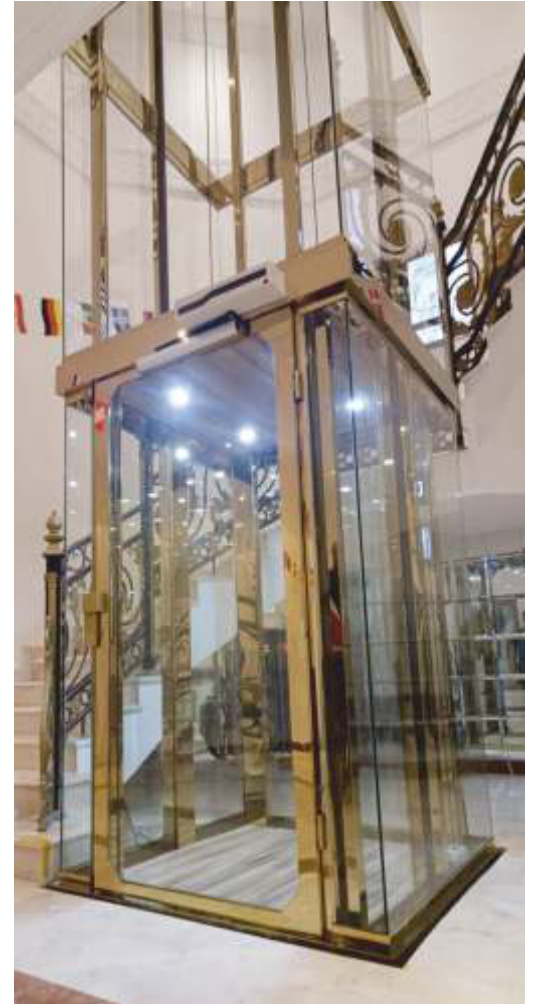
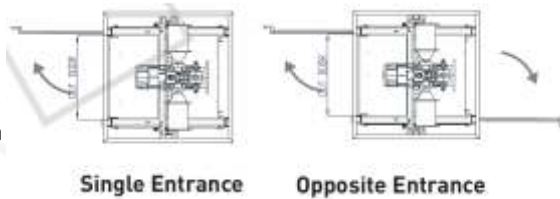


SVL - 1600

OUTER DIMENTION : 1600X1600 MM
CABIN DIMENTION : 1300 x 1300 MM
CABIN HIGH : 2000 MM
DOOR DIMENTION : 1000 x 2.000 MM
LOAD CAPACITY : 500KG
DRIVER : 6,8KW
POWER SUPPLY : 3 Phase 380 Vac/ 50HZ

Multiple Door Access

The flexible design of this elevator allows us to install the entrance or the exits from different sides on each floor.



CABIN AND STRUCTURE CLADDING :

GLASS
4X4MM
LAMINATED

DOOR CLADDING :

FRAMED GLASS
4X4MM
LAMINATED

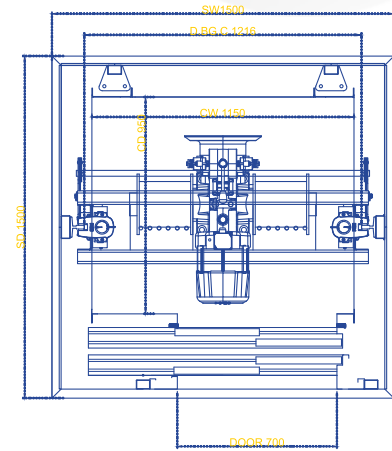


MEET THE AUTO SQUARE



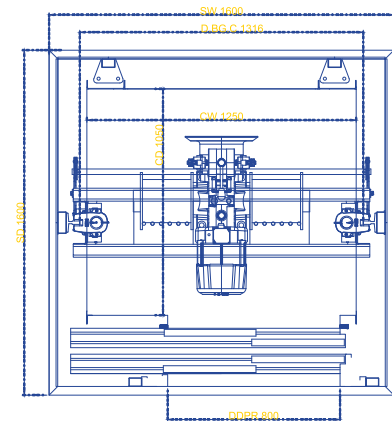
SVLA - 1500

STRUCTURE DIMENTION : 1500 X 1500 MM
CABIN DIMENTION : 1150 X 950 MM
CABIN HIGH : 2200 MM
DOOR DIMENTION : 700 x 2.000 MM **SLIDE OPPENING**
LOAD CAPACITY : 280 KG
DRIVER : 5,5 KW
POWER SUPPLY : 3 Phase 380 Vac / 50HZ-60HZ
DOOR COVERING : Framed Glass 4 X 4 MM Laminated

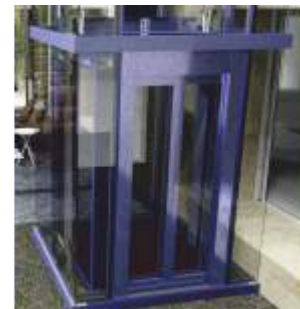


SVLA - 1600

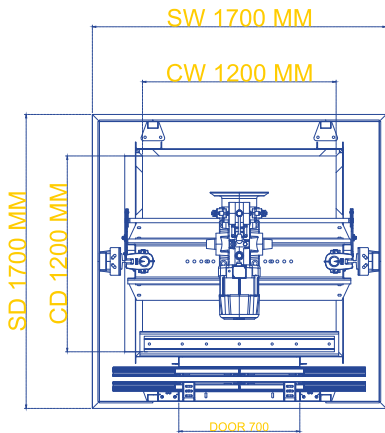
STRUCTURE DIMENTION : 1600 X 1600 MM
CABIN DIMENTION : 1250 X 1050 MM
CABIN HIGH : 2200 MM
DOOR DIMENTION : 800 x 2.000 MM **SLIDE OPPENING**
LOAD CAPACITY : 325 KG
DRIVER : 5,5 KW
POWER SUPPLY : 3 Phase 380 Vac / 50HZ-60HZ
DOOR COVERING : Framed Glass 4 X 4 MM Laminated



PIT 250 MM	OVERHEAD 3500 MM	SPEED 0,15 M/S	FULL AUTOMATIC DOOR
----------------------	----------------------------	--------------------------	--

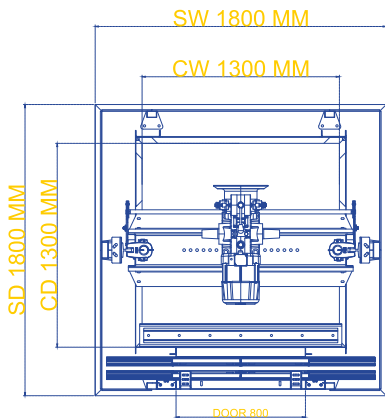


TECHNICAL DIMENSIONS



SVLA - 1700

STRUCTURE DIMENTION	: 1700 X 1700 MM
CABIN DIMENTION	: 1200 X 1200 MM
CABIN HIGH	: 2200 MM
DOOR DIMENTION	: 700 x 2.000 MM CENTER OPPENING
Load Capacity	: 360 KG
DRIVER	: 6,8 KW
POWER SUPPLY	: 3 Phase 380 Vac / 50HZ-60HZ
DOOR COVERING	: Framed Glass 4 X 4 MM Laminated



SVLA - 1800

STRUCTURE DIMENTION	: 1800 X 1800 MM
CABIN DIMENTION	: 1300 X 1300 MM
CABIN HIGH	: 2200 MM
DOOR DIMENTION	: 800 x 2.000 MM CENTER OPPENING
LOAD CAPACITY	: 450 KG
DRIVER	: 6,8 KW
POWER SUPPLY	: 3 Phase 380 Vac / 50HZ-60HZ
DOOR COVERING	: Framed Glass 4 X 4 MM Laminated

CABIN AND STRUCTURE COVERING : GLASS 4X4MM LAMINATED



Ceiling And Floor Options

Ceiling and floor types in different colors and textures



HG BEYAZ MERMER
C 1918



HG SIYAH GRANIT
C 1922



AKCA AGAC
C 1452



ALMAN ANTRASIT
C 1440



HG KAHVE GRANIT
C 1920



BEYAZ HUS
C 1439



HG YESIL GRANIT
C 1921



BAMBU
C 1454



MAT AYTASI
C 1428



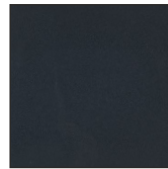
YESIL KAYAC
C 1831



BUTE GUMUS
C 1427



NATUREL SILVER
C 1479



SATEN SIYAH
C 1453



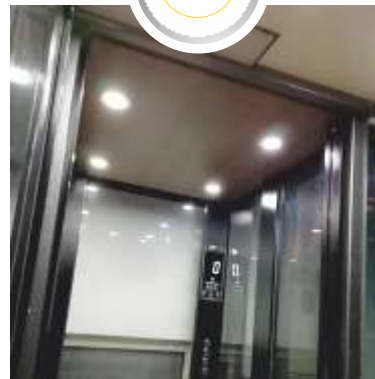
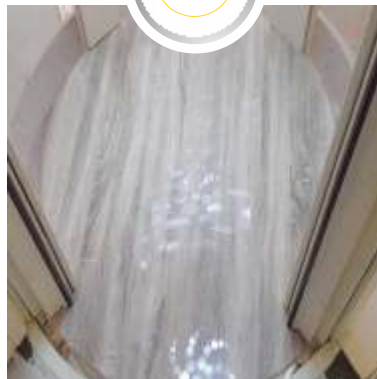
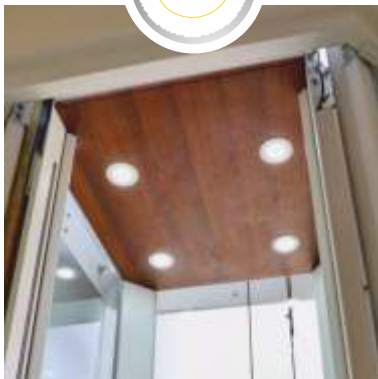
SIYAH GRANIT
C 1843



ACIK GRANIT
C 1841



AMERIKAN CEVIZ
C 1641



Glass and Acrylic Glass Options



Painted Steel



Frosted Glass



Clear Glass



Fame Black Glass



Painted Black Steel

**YOU CAN USE
IT INSIDE
CONCRETE
SHAFT
TOO !**



Concrete Shaft



Clear Acrylic



Black Acrylic



Color Options



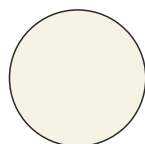
we offer a wide range of color variants to help you choosing the most 'look & feel' that suits your building's decor.

Standard Options

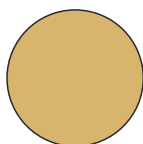
Our ESP painting method reflects itself in a shiny surface, flexible & durable coating which is less liable to chip or peel. All used materials are appropriate for inside or outside use with no VOC content.



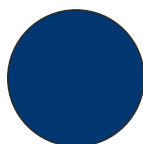
Our ESP painting method reflects itself in a shiny surface, flexible & durable coating which is less liable to chip or peel. All used materials are appropriate for inside or outside use with no VOC content.



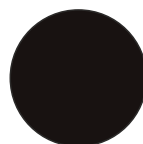
Ral 9001
Cream



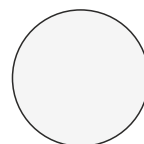
Ral 1004
Golden Yellow



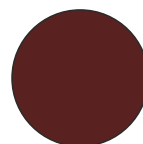
Ral 5002
Ultramarine Blue



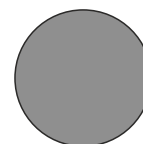
Ral 9004
Signal Black



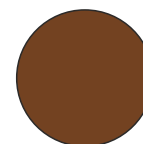
Ral 9003
Signal White



Ral 8012
Red Brown



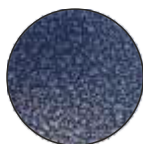
Ral 9007
Grey Aluminium



Ral 8003
Clay Brown



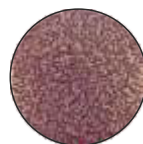
AF007



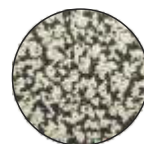
AF015



AF021



AF037



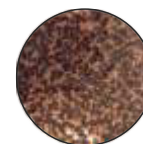
AF050



AF415



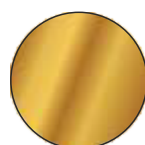
AF265



AF051

Stainless Steel Options

Alternatively we offer stainless steel covers in variant colors and cravings.



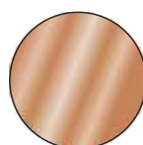
Mirror
Ti-Gold



Mirror
Ti-Black



Mirror



Mirror
Ti-Rose



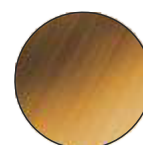
Mirror
Ti-Bronze



Hairline



AF-Hairline
Ti-Gold



Hairline
Ti-rose



Referance



RAL 9005
Jet Black



RAL 7032
Pebble Grey



RAL 9006
White Aluminium



RAL 1003
Signal Yellow



RAL 7043
Traffic Grey B



RAL 1013
Oyster White



RAL 1036
Pearl Gold



RAL 9010
Pure White



RAL MS185
Sml



RAL 3007
Black Red



Mirror Ti-Bronze



Mirror Ti-Gold

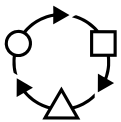


Mirror Silver

General Specifications

Maximum Travel	: 14 MT
Maximum Levels	: 5 Stops / 17.1 MT
Installation Place	: Inside – Outside
Drive Train	: Winding Drum Machine with Encoder (Made in Italy)
Machine Control	: Preprogrammed variable frequency drive (Made in Turkey)
Rope	: 8 mm standard: Turkish quality, on request: German quality.
Transmission	: Ultra-low vibration, 3-stage, right-angle, helical-bevel drive.
Noise Level	: 54db ventilator OFF – 56db with ventilator ON.
Encoder	: FNC 50 H(*EC)
Cabin Ceiling	: LED Spot Light – Spot Light
Cabin Operating Panel	: Intercom – Alarm – Emergency Stop Button (GENEMEK brand made in Turkey)
Overload Indication	: Built in on COP
Cabin Flooring	: Pvc – Wood
Cop	: Intercom – alarm – fan – emergency stop button (COP-LOP made in Turkey)
Cabinet Ceiling	: Etched steel or wood with spot light.
Shaft Construction	: Profil
Door interlocks	: Italian brand – (Made in Italy)

Customization



Adaptability

The technological simplicity of this product makes this lift an extremely adaptable elevator and helps you to make full usage of the space and elevation of your property. This lift can be installed without any additional reinforcement or structural changes in the building. That makes the elevator tremendously friendly for new or even vintage homes.



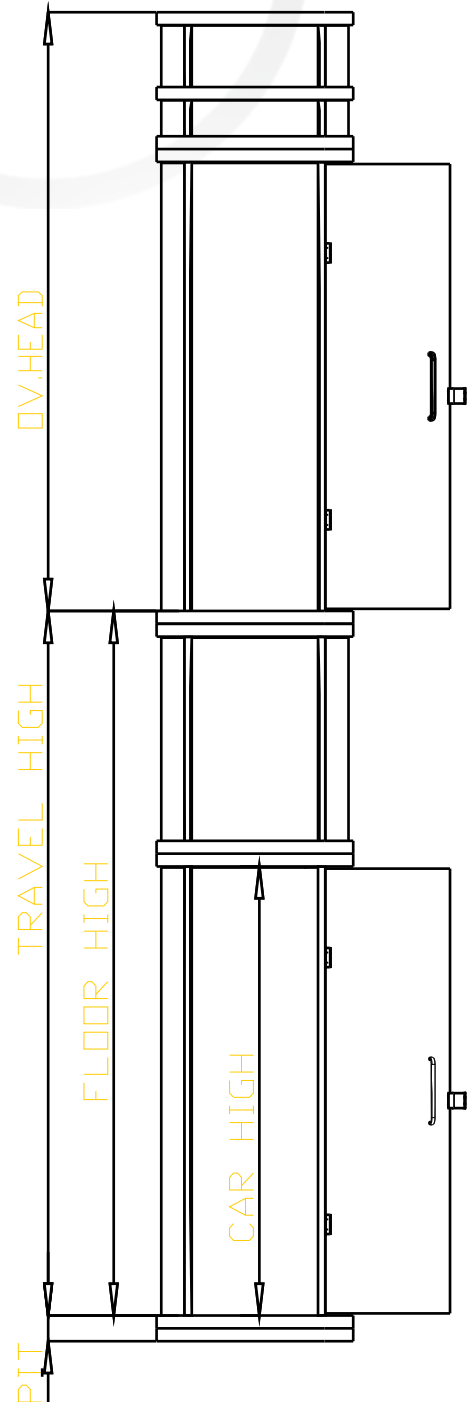
Flexibility

We strived to ensure full flexibility of this lift making sure that a G+1 elevator can be converted into a G+2 or a G+3 elevator in the future. If needed, the whole elevator can be completely dismantled and relocated to a new place in or out of the building or even to a new property.



Return to Home

The technology of this lift allows stationing the lift on any floor of your desire. Thanks to the installed timed electronic system, you can easily choose where your lift should land when not in use.



Order Form



REFERENCE :
 OFFER ID :
 DATE :

COMPANY NAME :
 COUNTRY :
 PHONE :
 MAIL :

MODEL	: <input type="checkbox"/> OCTAGON	<input type="checkbox"/> SQUARE	<input type="checkbox"/> AUTO SQUARE	<input type="checkbox"/> CIRCULAR	<input type="checkbox"/> SEMI CIRCULAR
	<input type="checkbox"/> OVL-1000	<input type="checkbox"/> SVL-1300	<input type="checkbox"/> SVLA-1500	<input type="checkbox"/> CVL-1100	<input type="checkbox"/> CVLA-1900
	<input type="checkbox"/> OVL-1200	<input type="checkbox"/> SVL-1400	<input type="checkbox"/> SVLA-1600	<input type="checkbox"/> CVL-1300	<input type="checkbox"/> CVLA-2000
	<input type="checkbox"/> OVL-1400	<input type="checkbox"/> SVL-1500	<input type="checkbox"/> SVLA-1700	<input type="checkbox"/> CVL-1500	
	<input type="checkbox"/> OVL-1600	<input type="checkbox"/> SVL-1600	<input type="checkbox"/> SVLA-1800	<input type="checkbox"/> CVL-1700	
PIT	: <input type="checkbox"/> 120 MM	<input type="checkbox"/> 120 MM	<input type="checkbox"/> 250 MM	<input type="checkbox"/> 120 MM	<input type="checkbox"/> 250 MM
	<input type="checkbox"/> NO PIT	<input type="checkbox"/> NO PIT	<input type="checkbox"/> NO PIT	<input type="checkbox"/> NO PIT	<input type="checkbox"/> NO PIT
DOOR	: <input type="checkbox"/> MANUAL	<input type="checkbox"/> MANUAL	<input type="checkbox"/> FULL AUTOMATIC	<input type="checkbox"/> MANUAL	<input type="checkbox"/> FULL AUTOMATIC
	<input type="checkbox"/> SEMI AUTOMATIC	<input type="checkbox"/> SEMI AUTOMATIC		<input type="checkbox"/> SEMI AUTOMATIC	
STRUCTURE COVERING	: <input type="checkbox"/> Clear Glass	<input type="checkbox"/> Fame Black Glass		<input type="checkbox"/> Dark Acrylic	
	<input type="checkbox"/> Painted Glass	<input type="checkbox"/> Painted Sheet Code : ____		<input type="checkbox"/> Clear Acrylic ____	
CABIN COVERING	: <input type="checkbox"/> Clear Glass	<input type="checkbox"/> Painted Glass		<input type="checkbox"/> Dark Acrylic	
	<input type="checkbox"/> S. Steel	<input type="checkbox"/> Sheet Metal Code : ____		<input type="checkbox"/> Clear Acrylic ____	
ENTRANCE	: <input type="checkbox"/> SINGLE	<input type="checkbox"/> OPPOSITE	<input type="checkbox"/> THREE WAY	" ONLY IN OCTAGON & CIRCULAR AVILABLE "	
POWER	: <input type="checkbox"/> 1 PHASE 220 VAC	<input type="checkbox"/> 3 PHASE 380 VAC			
STRUCTURE CLADDING	: <input type="checkbox"/> EPOXY PAINTED RAL CODE : _____	<input type="checkbox"/> S.STEEL CODE : _____			
CABIN CLADDING	: <input type="checkbox"/> Epoxy Ral Code : _____	<input type="checkbox"/> S. STEEL CODE : _____			
CEILING OF CABINET	: <input type="checkbox"/> S. Steel With Spot Light	<input type="checkbox"/> Wood Pvc With Spot Light	<input type="checkbox"/> Painted Sheet With Spot Light		
FLOOR OF CABINET	: <input type="checkbox"/> Solid Wooden Code	<input type="checkbox"/> Pvc Flooring Code			
FLOOR HIGH	: <input type="checkbox"/> 1 Floor ____mm	<input type="checkbox"/> 2 Floor ____mm	<input type="checkbox"/> 3 Floor ____mm	<input type="checkbox"/> 4 Floor ____mm	<input type="checkbox"/> Over head: ____mm

NOTE :

WE
RISE
TOGETHER



DIRA GENERAL
TRADING

WWW.DIRAGENERAL.COM

DIRA@DIRAGENERAL.COM
